

# Humidifiers



Wine Cellar with Wine Guardian Humidifier. Courtesy: Vintage Cellars

Wine is your passion. Preserving it is ours.

Wine Guardian® humidifiers are uniquely designed to deliver superior performance and reliability, ensuring the proper conditions for your wine collection and cellar. Our humidifiers **regulate and control humidity** while offering the versatility to be **used with any brand** of wine cooling system.

## Humidifier Features

- Monitors and controls humidity in the wine cellar
- Evaporative drip pad system with removable cover and cleanable pad for easy access and maintenance
- Commercial-grade & lightweight, all-aluminum components



Integrated Humidifier



Freestanding Humidifier

### Integrated

- Uses Wine Guardian remote interface for control and readout; a separate controller is not needed
- Installs on either side of system for application flexibility
- Powered directly from Wine Guardian® unit; no separate power source required

### Freestanding

- Can be used with any wine cellar cooling system
- Versatile placement: mounted through-the-wall, through-the-racking or on-the-wall with included mounting bracket for maximum flexibility
- Sleek, modern supply grille (Removable)



Made in the U.S.A.

Wine Guardian USA:

1 (800) 825 3268 | 1 (315) 452 7400

wineguardian.com | info@wineguardian.com

Wine Guardian European Office:

Pestalozzistrasse 2, CH-8201 Schaffhausen, Switzerland

+41 (0) 52 224-0490 | tluehr@airinnovations.com

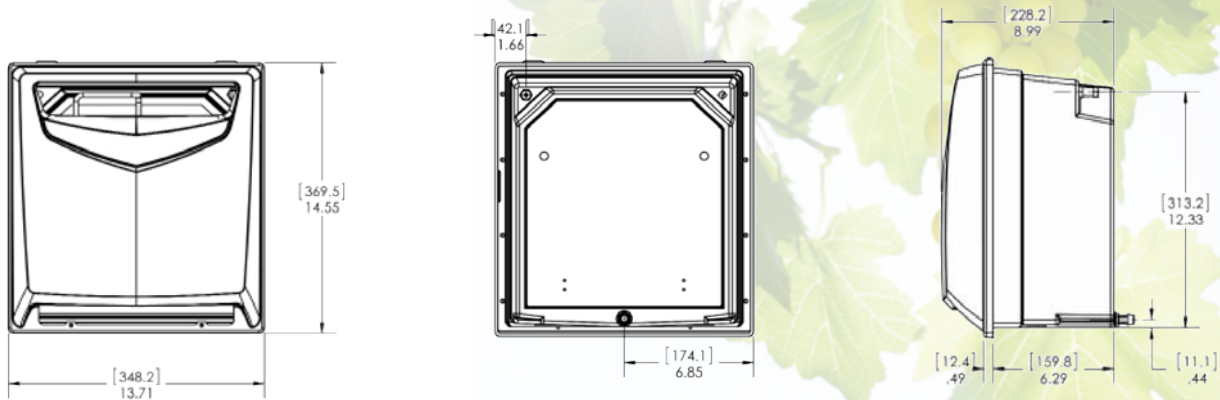
Find a Distributor

# Humidifiers



## Other things to know about Wine Guardian® wine cellar humidifiers

- Uses Wine Guardian control system to sense & control the amount of moisture that needs to be added to the cellar
- Water supply and drain lines are conveniently located for ease of installation and service
- Wine Guardian humidifiers are designed for minimal maintenance. However, a regular maintenance program helps prolong the life of the humidifier and helps to maintain humidity in the cellar



Front, back and side view. Dimensions in inches (mm)

## Humidifier Specifications

Supply Water	Temperature 60°F (16°C) 100°F (38°C)	Capacity 0.42 lbs/hr (0.19 kg/hr) 1.0 lbs/hr (0.45 kg/hr)
Controls	Cellar-mounted remote interface controller	
Power Requirements	<b>Freestanding:</b> 115 volt, 1 phase, 60 Hz (220/240 volt, 1 phase, 50 Hz) Independent Operation 24 volt (50/60 Hz) When powered through Wine Guardian®	
	<b>Integrated:</b> 24 volt (50/60 Hz) When directly connected to Wine Guardian®	
Weight	10 lbs (4.5 kg)	

Contact your authorized Wine Guardian distributor for information pertaining to integrated humidification. Wine Guardian® systems are made in the USA by Air Innovations®. Manufacturer reserves right, without notice, to make changes to specifications at its sole discretion. Wine Guardian® Through-the-Wall Cooling System US Pat. No. D634760. EasyMount™ is a trademark of Air Innovations. Wine Guardian® is a registered trademark of Air Innovations®.

Rev 1/16

Wine Guardian USA:  
1 (800) 825 3268 | 1 (315) 452 7400  
wineguardian.com | info@wineguardian.com

Wine Guardian European Office:  
Pestalozzistrasse 2, CH-8201 Schaffhausen, Switzerland  
+41 (0) 52 224-0490 | tluehr@airinnovations.com

Find a Distributor